

National Grid Refrigerator Cut Sheets

3/5/2008



SMOC Energy Services
SOUTH MIDDLESEX OPPORTUNITY COUNCIL

SMOC Energy Services
300 Howard Street
Framingham, MA 01702

(800) 690-1046

Top

Freezers

46-62042 - White

White Kenmore 10.3 cu. ft. Top Freezer Refrigerator



10.3 cu. ft. capacity refrigerator specifically designed for smaller dwellings with a full "True" frost-free freezer, 2 adjustable slide-out shelves and 4 full-width clear door bins.

- Adjustable 2 liter bottle storage (refrigerator door)
- Adjustable upfront temperature control, interior light and full-width clear crispener with glass lid
- 2 full-width clear door bins (freezer)
- Euro round doors with recessed handles
- Reversible doors, 2 leveling legs
- ENERGY STAR® Qualified

General Features	General Warranty	1 year limited parts and labor	
Styling:		Performance:	
Door Color	white	Kilowatt Hrs. Per Year	350
Door Style	Flat, textured	Interior lighting	Standard
Type	Top Freezer	Sound Reduction	No
Handle Type	Recessed side handle	Freezer Features:	
Capacity:		Advanced Freezer Technology	No
Freezer Section	2.37 Cu. Ft.	Advanced Ice Production	No
Overall	10.3 Cu. Ft	Defrost System	Frost-Free
Refrigerator Section	7.95 Cu. Ft	Ice Maker	No
Freshness Features:		Ice Storage	No
Advanced Cooling System	No	Freezer Conveniences:	
Air Filtration	No	Adjustable Shelves	0
Snack/Deli Drawer	No	Pull-out Freezer Floor	No
Temperature Controlled Meat/Vegetables	No	Slide-out Shelves	1
Temperature Controlled Snack/Deli Drawer	No	Adjustable Door Bins/Baskets	0
Refrigerator Conveniences:		Door Bins/Baskets	2
Adjustable Shelves	2	Tilt out Door Bins/Baskets	0
Advanced Storage Options	Yes	Durability:	
Beverage Rack	No	Door Finish	Textured
Clear Adjustable Door Bins	4	Shelf Material	wire
Control Location	Up-front interior	Dimensions:	
Control Type	Knob/dial	Maximum Depth w/handle	27 in.
Slide out Shelves	2	Maximum Height w/Hinge	58-5/8 in.
Opaque Adjustable Door Bins	0	Maximum Width	23-3/4 in.
Specialty Storage	No	Color:	
Tilt out Door Storage	0	Overall	white



CAPACITY	
Total Capacity (cubic feet)	11.9
Fresh Food (cubic feet)	8.94
Freezer (cubic feet)	2.95
Shelf Area (sq. ft.)	12.1
FEATURES	
Automatic Icemaker	Optional (IM4A)
Ice N' Easy Trays	1
Vegetable / Fruit Crisper(s)	1 Full-Width
Fresh Food Cabinet Shelves	Adjustable
No. of Fresh Food Cabinet Shelves	2 Full-Width Wire
Fresh Food Door Shelves	2 1/2
Dairy Compartment	Yes
Interior Light	Yes
Freezer Door Shelves	2 Fixed
WEIGHTS & DIMENSIONS	
Net Weight	161 lbs
Overall Depth	32 3/8 in
Overall Height	60 1/2 in
Overall Width	23 7/8 in
Case Depth Without Door	27-3/4 in
Depth with Door Open 90°	51-5/8 in
Depth Without Handle	30-5/8 in
Height to Top of Case	60 in

46-60532 - White
46-60534 - Bisque

Kenmore® 15 cu. ft. Top Freezer Refrigerators

- **2 fruit/vegetable crispers**
- **2 adjustable white wire shelves**
- **2 1/2 door storage shelves (1 gallon)**
- **Reach-thru handles**
- **Textured steel cabinet and reversible doors**



Right Hinge Selection, Non-Ice	Fruit/Vegetable Crisper 2	Drawer/Bin Color & Accents White
White 46-60532	Total Door Shelves/Bins 2 1/2	Door Handles Reach-Thru
Bisque 46-60534	Gallon Door Storage 1	Reversible Doors •
Interior Capacities	Dairy Bin Covered	Textured Steel Doors & Cabinet •
Total Volume (cu. ft.) 14.8	Refrigerator Lights Enhanced, 1	ENERGY STAR® Qualified •
Refrigerator Volume (cu. ft.) 11.0	Freezer Features	Est. Energy Consumption (kWh/yr.) 376
Freezer Volume (cu. ft.) 3.8	Interior Shelves 1 Half-Width	Est. Yearly Operating Cost** \$31
Refrigerator Features	Freezer Door Shelves/Baskets/Bins 2	Warranty
Total Interior Shelves 3	Defrost Frost-Free	Full 1-Year Warranty – Entire Appliance Parts & Labor
Adjustable Shelves 2 White Wire	General Features	Full 5-Year Warranty –
Slide-Out Shelves 2	Up-Front Temperature Controls Dial	Sealed Refrigeration System Parts & Labor

A – Height without Hinge
B – Height with Hinge
C – Depth without Handle
D – Depth with Handle
E – Max. Depth with Doors/Drawer Open
F – Width

Clearance – Additional Width Required to Open the Doors 90°
Left Hinge – Facing the refrigerator, handle is on your right and hinges are on your left.
Right Hinge – Facing the refrigerator, handle is on your left and hinges are on your right.

Dimensions (in.)	HEIGHT		DEPTH			WIDTH	CLEARANCES	
	A	B	C	D	E	F	Door Edge	Handle
46-70532/46-60532	59 3/8	60 1/8	29 3/8	31 3/8	56	28	5/8	2 5/8

MINIMUM OPENING REQUIRED: When installing next to cabinets, add Width (F) and Door Edge Clearance. When installing next to a wall, add Width (F) and Handle Clearance.

46-64522- White

White Kenmore 14.8 cu. ft. Top Freezer Refrigerator

Top freezer refrigerator with adjustable, slide-out glass shelves and clear humidity crispers for storage convenience. In-door storage racks, snack/deli tray and enhanced interior lighting.

- Adjustable glass shelves
- Dairy compartment
- Adjustable humidity fruit/vegetable crispers
- Gallon door storage provides flexibility for storing large containers
- Rounded door edges
- Enhanced refrigerator lighting
- Upfront temperature control knobs



Product Overview		Quality Features	
Item Weight	165.0 lbs.	Adjustable Rollers/Levelers	2 fixed, 2 adjustable levels
General Warranty	1 year parts and labor	Construction	Easy clean one piece liner
Capacity		Defrost system	Frost Free
Freezer Section	3.74 cu. Ft.	Noise Reduction	Low noise compressor
Refrigerator Section	11.01 cu. Ft.	Performance	frost-free operation
Energy		Styling	
Kilowatt Hrs per Year	443	Design Look	Reach through door handles
Energy Star Complaint	No	Door Flexibility	Right Swing - reversible
Ice Maker		Panel Flexibility	**Accepts custom panel(s) by 3rd party
Type	-	Color	
Water Filtration		Door Panel(s)	white
Type	-	Door Trim	white
Fresh Food Shelves		Interior	white
No. of Fresh Food Shelves	3 (2 sliding, 1 fixed)	Overall	white
Construction	2 glass, 1 plastic	Toe Grille	white
Crisper Shelf	Plastic crisper shelf	Cabinet Color	white
Slide-Out	2 slide out	Handle Color	white
Fresh Food Bins		Materials & Finishes	
Deli/Snack Bins	Clear snack bin	Cabinet	Cold rolled steele
Vegetable Crisper	2 clear crispers w/adj. Humidity	Cabinet Liner	Foam-in-place
Fresh Food Door		Door Liner	Foam-in-place
No. of Shelves/Bins	2 full-width, 1 half-width	Door Panel	Cold rolled steele
Door Dairy Bin	Clear dairy compartment	Insulation	Foam-in-place
Door Swing	Right hinge, right swing	Dimensions	
Gallon/Liter Door Storage	Yes	Air Clearance, Back	1 in.
Freezer Shelves		Air Clearance, Each Side	3/8 in.
No. of shelves	1	Air Clearance, Top	3 in.
Adjustable	1 adjustable	Depth, Less Door	28-3/8 in.
Construction	wire	Depth, Total with Door Open	57-3/4 in.
Freezer Door		Height	60-1/8 in.
No. of Shelves/Bins	2 Fixed	Weight, Shipping (Approx.)	175 lbs.
Fixed Shelves	Yes	Width, Door open 90 deg.	28-3/8 in.
Freezer Ice & Specialty		No handle	28-3/8 in.
Ice Cube Trays	2 ice trays	Maximum Depth w/Handle	33-1/8 in.
Convenience Features		Height w/out Hinge	59-3/8 in.
Refrigator Light	2 refrigerators lights	Maximum Height w/Hinge	60-1/8 in.
Controls		Maximum Width	28 in.
No. of Controls	1	Depth, Less Door Handle	31-1/8 in.
Control Location(s)	Up-front	Power Source	
Control Type(s)	Dial	Maximum Amps	9
		Rating	U.L. listed
		Requirements	120 volts, 60 Hz, 15 amps

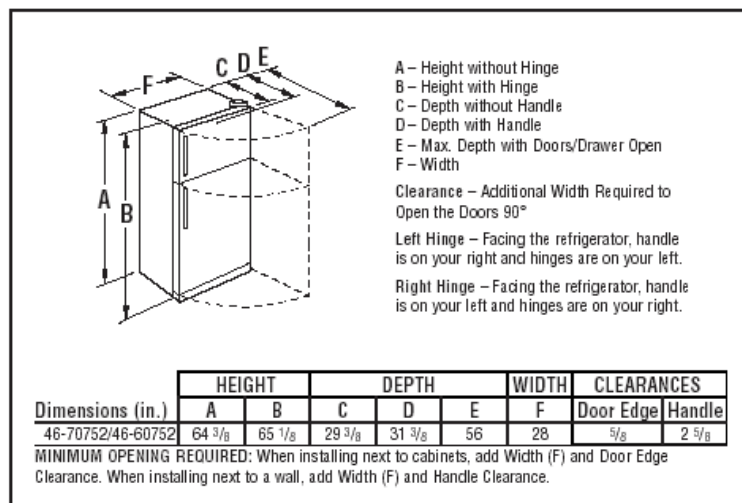
46-60752 - White
46-60754 - Bisque

Kenmore® 17 cu. ft. Top Freezer Refrigerators



- **2 clear fruit/vegetable crispers**
- **3 adjustable white wire shelves**
- **3 door storage shelves (1 gallon)**
- **Textured steel cabinet and reversible doors**

Right Hinge Selection, Non-Ice	Total Door Shelves/Bins 3	Drawer/Bin Color & Accents Clear
White 46-60752	Gallon Door Storage 1	Door Handles Reach-Thru
Bisque 46-60754	Dairy Bin Covered	Reversible Doors •
Interior Capacities	Refrigerator Lights Enhanced, 1	Textured Steel Doors & Cabinet •
Total Volume (cu. ft.) 16.5	Freezer Features	Accepts Designer Frame & Panel Kits •
Refrigerator Volume (cu. ft.) 12.8	Optional Ice Maker Kit (Non-Ice) 46-8087	ENERGY STAR® Qualified •
Freezer Volume (cu. ft.) 3.7	Interior Shelves 1 Adj.	Est. Energy Consumption (kWh/yr.) 391
Refrigerator Features	Freezer Door Shelves/Baskets/Bins 2	Est. Yearly Operating Cost** \$32
Total Interior Shelves 4	Defrost Frost-Free	Warranty
Adjustable Shelves 3 White Wire	General Features	Full 1-Year Warranty – Entire Appliance Parts & Labor
Slide-Out Shelves 3	Up-Front Temperature Controls Dial	Full 5-Year Warranty –
Fruit/Vegetable Crisper 2		Sealed Refrigeration System Parts & Labor



46-64722- White

White Kenmore 16.5 cu. ft. Top Freezer Refrigerator

Top freezer refrigerator with adjustable, slide-out glass shelves and clear humidity crispers for storage convenience. In-door storage racks, snack/deli tray and enhanced interior lighting.

- Adjustable glass shelves
- Dairy compartment
- Adjustable humidity fruit/vegetable crispers
- Gallon door storage provides flexibility for storing large containers
- Rounded door edges
- Enhanced refrigerator lighting
- Upfront temperature control knobs

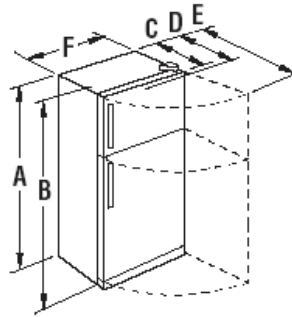


Product Overview		Quality Features	
Item Weight	180.0 lbs.	Adjustable Rollers/Levelers	2 fixed, 2 adjustable levels
General Warranty	1 year parts and labor	Construction	Easy clean one piece liner
Capacity		Defrost system	Frost Free
Freezer Section	3.74 cu. ft.	Noise Reduction	Low noise compressor
Refrigerator Section	12.76 cu. ft.	Styling	
Energy		Design Look	Reach through door handles
Kilowatt Hrs per Year	460	Door Flexibility	Right Swing - reversible
Energy Star Complaint	No	Panel Flexibility	**Accepts custom panel(s) by 3rd party
Ice Maker		Color	
Type	-	Door Panel(s)	white
Water Filtration		Door Trim	white
Type	-	Interior	white
Fresh Food Shelves		Overall	white
No. of Fresh Food Shelves	3 (2 adjustable, 1 fixed)	Toe Grille	white
Construction	2 glass, 1 plastic	Cabinet Color	white
Crisper Shelf	Plastic crisper shelf	Handle Color	white
Wine/Beverage Holder	Wine Rack	Materials & Finishes	
Fresh Food Bins		Cabinet	Cold rolled steele
Deli/Snack Bins	Clear snack bin	Cabinet Liner	Foam-in-place
Vegetable Crisper	2 clear crispers w/adj. Humidity	Door Liner	Foam-in-place
Fresh Food Door		Door Panel	Cold rolled steele
No. of Shelves/Bins	3 fixed racks	Insulation	Foam-in-place
Door Dairy Bin	Clear dairy compartment	Dimensions	
Door Swing	Right hinge, right swing	Air Clearance, Back	1 in.
Gallon/Liter Door Storage	Yes	Air Clearance, Each Side	3/8 in.
Freezer Shelves		Air Clearance, Top	3 in.
No. of shelves	1	Depth, Less Door	28-3/8 in.
Adjustable	1 adjustable	Depth, Total with Door Open	57-3/4 in.
Construction	wire	Height	65-1/8 in.
Freezer Door		Weight, Shipping (Approx.)	190 lbs.
No. of Shelves/Bins	2 Fixed	Width, Door open 90 deg.	28-3/8 in.
Fixed Shelves	Yes	No handle	28-3/8 in.
Freezer Ice & Specialty		Maximum Depth w/Handle	33-1/8 in.
Ice Cube Trays	2 ice trays	Height w/out Hinge	64-3/8 in.
Convenience Features		Maximum Height w/Hinge	65-1/8 in.
Refrigerator Light	2 refrigerators lights	Maximum Width	28 in.
Controls		Depth, Less Door Handle	31-1/8 in.
No. of Controls	1	Power Source	
Control Location(s)	Up-front	Maximum Amps	9
Control Type(s)	Dial	Rating	U.L. listed
		Requirements	120 volts, 60 Hz, 15 amps

46-60892 - White 46-60892 - Bisque

Kenmore® 18 cu. ft. Top Freezer Refrigerators

- 2 fruit/vegetable crispers
- 2 adjustable slide-out white wire shelves
- 3 door storage shelves (1 gallon)
- Adjustable rollers
- Textured steel cabinet and reversible doors



A – Height without Hinge
 B – Height with Hinge
 C – Depth without Handle
 D – Depth with Handle
 E – Max. Depth with Doors/Drawer Open
 F – Width

Clearance – Additional Width Required to Open the Doors 90°

Left Hinge – Facing the refrigerator, handle is on your right and hinges are on your left.

Right Hinge – Facing the refrigerator, handle is on your left and hinges are on your right.

Dimensions (in.)	HEIGHT		DEPTH			WIDTH	CLEARANCES	
	A	B	C	D	E	F	Door Edge	Handle
46-70892/46-60892	65 3/8	66 1/8	29 7/8	31 7/8	58 1/8	29 5/8	5/8	2 5/8

MINIMUM OPENING REQUIRED: When installing next to cabinets, add Width (F) and Door Edge Clearance. When installing next to a wall, add Width (F) and Handle Clearance.

Right Hinge Selection, Non-Ice

White 46-60892

Bisque 46-60894

Interior Capacities

Total Volume (cu. ft.) 18.2

Refrigerator Volume (cu. ft.) 14.1

Freezer Volume (cu. ft.) 4.1

Refrigerator Features

Total Interior Shelves 3

Adjustable Shelves 2 White Wire

Slide-Out Shelves 2

Snack/Deli Drawer 1

Fruit/Vegetable Crisper 2

Total Door Shelves/Bins 3

Gallon Door Storage 1

Dairy Bin Covered

Refrigerator Lights Enhanced, 1

Freezer Features

Optional Ice Maker Kit (Non-Ice) 46-8087

Interior Shelves 1 Half-Width

Freezer Door Shelves/Baskets/Bins 2

Defrost Frost-Free

General Features

Up-Front Temperature Controls Dial

Drawer/Bin Color & Accents White

Door Handles Reach-Thru

Reversible Doors •

Textured Steel Doors & Cabinet •

Adjustable Front Rollers •

ENERGY STAR® Qualified •

Est. Energy Consumption (kWh/yr.) 407

Est. Yearly Operating Cost** \$34

Volts/Amps 115/4.5

Shipping Weight (Approx. Lbs.) 205

Warranty

Full 1-Year Warranty – Entire Appliance Parts & Labor

Full 5-Year Warranty –

Sealed Refrigeration System Parts & Labor

46-67872 - White *Kenmore® 18 cu. ft. Top Freezer*

46-67874 - Bisque *Refrigerators*

46-67879 - Black

This Energy Star® qualified top-freezer refrigerator is packed with convenient features to make food preservation simple. Customize door storage with the adjustable gallon door bins, while the humidity-controlled crispers keeping fruits & veggies fresh.



- Adjustable gallon door bins
- 2 Clear humidity-controlled crispers
- Sliding spill-proof glass shelves
- Clear deli drawer
- Full-width freezer shelf
- Rounded doors
- Energy Star® qualified, this refrigerator uses less energy to operate, saving money on utility bills

General Features:		Styling:	
General Warranty	1 year limited parts and labor	Cabinet Color	White
Capacity:		Door Color	White
Freezer Section	4.1 cu. ft	Handle Color	White
Overall	18.2 cu. Ft	Type	Top Freezer
Refrigerator Section	14.1 cu. ft.	Handle Type	Standard
Performance:		Color:	
Kilowatt Hrs. per Year	407	Overall	White
Interior Lighting	Standard	Freezer Features:	
Sound Reduction	Yes, low noise compressor	Advanced Freezer Technology	No
Energy Star Compliant	Yes	Advanced Ice Production	No
Freshness Features:		Defrost System	Frost free
Advanced Cooling System	No	Ice Maker	Optional
Air Filtration	No	Ice Storage	No
Crispers	2 humidity-controlled crispers	Freezer Conveniences:	
Crisper Style	clear	Adjustable Shelves	1
Snack/Deli Drawer	Yes	Pull-out Freezer Floor	No
Temperature Controlled Meat/Vegetable Drawer	No	Adjustable Door Bins/Baskets	0
Temperature Controlled Snack/Deli Drawer	No	Door Bins/Baskets	2
Refrigerator Conveniences:		Tilt Out Bins/Baskets	0
Adjustable Shelves	2	Durability:	
Advanced Storage Options	Yes, Dairy Compartment	Door Finish	Textured
Beverage Rack	No	Shelf Material	Glass, spill-proof
Clear Adjustable Door Bins	0	Dimensions:	
Control Location	Up-front interior	Maximum Depth w/Handle	31-7/8 in.
Control Type	Knob/dial	Height w/out Hinge	65-3/8 in.
Slide-out shelves	No	Maximum Height w/Hinge	66-1/8 in.
Opaque Adjustable Door Bins	4	Maximum Width	29-5/8 in.
Specialty Storage	No	Depth w/out Handle	29-7/8 in.
Tilt Out Door Storage	0		

46-69932 - White
46-69934 - Bisque
46-69939 - Black

White Kenmore 18.2 cu. ft. Top Freezer Refrigerator

This ENERGY STAR® top mount refrigerator offers many features. Clear Adjustable Gallon Door Bins and spillproof glass shelves ensure convenient storage options. Clear Humidity Controlled crispers and clear deli drawer provide flexibility while keeping food fresh.



- ENERGY STAR®
- 4 Split, Spillproof Glass Shelves
- Doors feature Rounded Door Corners
- Clear Adjustable Gallon Door Bins
- 2 Clear, Humidity Controlled Crispers
- Full Width Freezer Shelf
- Full Enclosure Freezer Door Bins

General Features:		Styling:	
General Warranty	1 year limited parts and labor	Cabinet Color	White
Capacity:		Door Color	White
Freezer Section	4.1 cu. ft	Handle Color	White
Overall	18.2 cu. Ft	Type	Top Freezer
Refrigerator Section	14.1 cu. ft.	Handle Type	Standard
Performance:		Color:	
Kilowatt Hrs. per Year	407	Overall	White
Interior Lighting	Enhanced	Freezer Features:	
Sound Reduction	No	Advanced Freezer Technology	No
Energy Star Compliant	Yes	Advanced Ice Production	No
Freshness Features:		Defrost System	Frost free
Advanced Cooling System	No	Ice Maker	No
Air Filtration	No	Ice Storage	No
Crispers	2 humidity-controlled crispers	Freezer Conveniences:	
Crisper Style	clear	Adjustable Shelves	No
Snack/Deli Drawer	Yes	Pull-out Freezer Floor	No
Temperature Controlled Meat/Vegetable Drawer	No	Adjustable Door Bins/Baskets	0
Temperature Controlled Snack/Deli Drawer	No	Door Bins/Baskets	2
Refrigerator Conveniences:		Tilt Out Bins/Baskets	0
Adjustable Shelves	0	Durability:	
Advanced Storage Options	No	Door Finish	Textured
Beverage Rack	No	Shelf Material	Glass, spill-proof
Clear Adjustable Door Bins	4	Dimensions:	
Control Location	Up-front interior	Maximum Depth w/Handle	31-7/8 in.
Control Type	Knob/dial	Height w/out Hinge	65-3/8 in.
Slide-out shelves	0	Maximum Height w/Hinge	66-1/8 in.
Opaque Adjustable Door Bins	0	Maximum Width	29-5/8 in.
Specialty Storage	No	Depth w/out Handle	29-7/8 in.
Tilt Out Door Storage	0		

46-80802 - White

White Frigidaire 18.3 cu. ft. Top Freezer Refrigerator



Large capacity with loads of conveniences. This top-freezer refrigerator features 2 full-width slide-out glass shelves allowing you to easily reach items in the back of the refrigerator. The humidity-controlled crisper keeps fruits & veggies fresh longer. For extra convenience, add an ice maker kit. (sold separately)

- 2 Clear crispers, 1 with humidity-control
- [Clear Deli Drawer](#) & dairy door
- Rounded doors
- Full-width freezer shelf
- Gallon door storage
- Dairy Compartment
- Upfront temperature control knobs
- Enhanced lighting
- Optional Icemaker

General Features:		Styling:	
General Warranty	1 year limited parts and labor	Cabinet Color	White
Capacity:		Door Color	White
Freezer Section	4.1 cu. ft	Handle Color	White
Overall	18.3 cu. Ft	Type	Top Freezer
Refrigerator Section	14.2 cu. ft.	Handle Type	Standard
Performance:		Color:	
Kilowatt Hrs. per Year	479	Overall	White
Interior Lighting	Enhanced	Freezer Features:	
Sound Reduction	Yes	Advanced Freezer Technology	No
Energy Star Compliant	No	Advanced Ice Production	No
Freshness Features:		Defrost System	Frost free
Advanced Cooling System	No	Ice Maker	No
Air Filtration	No	Ice Storage	No
Crispers	1 humidity-controlled crispers	Freezer Conveniences:	
Crisper Style	clear	Adjustable Shelves	0
Snack/Deli Drawer	Yes	Pull-out Freezer Floor	No
Temperature Controlled Meat/Vegetable Drawer	No	Adjustable Door Bins/Baskets	0
Temperature Controlled Snack/Deli Drawer	No	Door Bins/Baskets	2
Refrigerator Conveniences:		Tilt Out Bins/Baskets	0
Adjustable Shelves	2	Durability:	
Advanced Storage Options	yes, Dairy Compartment	Door Finish	Textured
Beverage Rack	No	Shelf Material	Glass
Clear Adjustable Door Bins	0	Dimensions:	
Control Location	Up-front interior	Maximum Depth w/Handle	33-5/8 in.
Control Type	Knob/dial	Height w/out Hinge	65-3/8 in.
Slide-out shelves	2	Maximum Height w/Hinge	66-1/8 in.
Opaque Adjustable Door Bins	0	Maximum Width	29-5/8 in.
Specialty Storage	No	Depth w/out Handle	31-5/8 in.
Tilt Out Door Storage	0		

46-04363 Treadplate

Chillerator® Garage Refrigerator - 19 cu. ft.

The Chillerator® Garage Refrigerator - A perfect second refrigerator built for the garage with traditional proportions providing the latest and greatest in innovation, space savings, and an upscale look that really stands out in the garage. It appeals to busy families who want more refrigerator space than freezer space, who need space for chilling surplus beverages like that extra gallon of milk that will eventually end up in the main refrigerator, who need extra refrigerator or freezer space around the holidays, and who want chilled beverages to be consumed outside without having to enter the house. Unlike your neighbor's garage refrigerator that they retired from their kitchen, the Energy Star qualified Chillerator® Garage Refrigerator is not only designed to handle the extreme temperature and humidity of the garage environment, it also saves you money by reducing energy consumption. Need more freezer space? Check out our Freezerator Convertible Refrigerator/ Freezer.



General Features:		Refrigeration Conveniences:	
General Warranty:	1 year parts and labor	Adjustable Shelves:	0
Styling:		Advanced Storage Options:	No
Door Style:	Contoured	Beverage Rack:	No
Type:	Top freezer	Clear Adjustable Door Bins:	0
General Features:		Slide-Out Shelves:	0
Handle Type:	Integrated	Opaque Adjustable Door Bins:	4
Capacity:		Tilt Out Door Storage:	0
Freezer Section:	5 cu. ft.	Specialty Storage:	No
Overall:	19 cu. ft.	Freezer Features:	
Refrigerator Section:	14.0 cu. ft.	Advanced Ice Production:	No
Performance:		Defrost System:	Auto defrost
Kilowatt Hrs. per Year:	418	Ice Maker:	No
Interior Lighting:	Enhanced	Ice Storage:	No
Sound Reduction:	Yes	Freezer Conveniences:	
Energy Star Compliant:	Yes	Slide-out Shelves:	0
Freshness Features:		Adjustable Shelves:	0
Air Filtration:	No	Pull-out Freezer Floor:	No
Crispers:	2 standard crispers	Door Bins/Baskets:	0
Crisper Style:	Clear	Adjustable Door Bins/Baskets:	0
Snack/Deli Drawer:	No	Tilt-out Door Bins/Baskets:	0
Temperature Controlled Meat/Vegetab:	No	Durability:	
Temperature Controlled Snack/Deli D:	No	Door Finish:	Textured
Color:		Shelf Material:	Glass, spill-proof
Overall:	Treadplate	Dimensions:	
Cabinet Color:	Graphite	Maximum Depth w/Handle:	31-1/2 in.
Door Color:	Treadplate	Maximum Height w/Hinge:	73-1/2 in.
Handle Color:	Graphite	Maximum Width:	29-1/2 in.

46-67172 - White White Kenmore 21 cu. ft. Top Freezer Refrigerator

46-67174 - Bisque

46-67179 - Black



Top freezer refrigerator that's packed with extras, including adjustable gallon door bins, 2 clear humidity crispers, and sliding, spillproof glass shelves. Clear deli drawer, full-width freezer shelf, and rounded doors. Energy Star® qualified model.

- Energy Star® model exceeds energy standards, reduces energy costs
- 2 clear humidity controlled crispers
- Upfront temperature control knobs
- Full-width freezer shelf
- Gallon door bins hold containers where they're easier to reach & open up shelf space
- Clear deli drawer
- Optional ice maker kit #8087 available, sold separately

Product Overview		Convenience Features	
General Warranty	1 year parts and labor	Refrigator Light	yes
Capacity		Controls	
Freezer Section	5.3 cu. Ft.	No. of Controls	1
Refrigerator Section	15.3 cu. Ft	No. of Thermostats	1
Energy		Control Location(s)	Up-front
Kilowatt Hrs per Year	432	Control Type(s)	Dial
Energy Star Complaint	yes	Quality Features	
Ice Maker		Defrost system	Auto defrost
Type	Optional ice maker kit available	Performance	Frost-Free Operation
Water Filtration		Styling	
Type	-	Design Look	Rounded Edges
Fresh Food Shelves		Door Flexibility	reversible
No. of Fresh Food Shelves	3	Color	
Adjustable	2 adjustable	Door Panel(s)	Textured White
Construction	Glass, spill-proof	Overall	white
Crisper Shelf	yes	Cabinet Color	Textured White
Slide-Out	2 slide-out	Handle Color	white
Fresh Food Bins		Dimensions	
Deli/Snack Bins	Clear snack/deli drawer	Air Clearance, Back	1 in.
Vegetable Crisper	2 crispers w/adj. Humidity	Air Clearance, Each Side	3/8 in.
Fresh Food Door		Air Clearance, Top	3 in.
No. of Shelves/Bins	5 (4 adjustable, 1 fixed)	Depth, Total with Door Open	60 in.
Door Dairy Bin	Clear dairy compartment	Maximum Depth w/Handle	33-3/4 in.
Door Swing	Right hinge, right swing	Height w/out Hinge	68-1/4 in.
Gallon/Liter Door Storage	4 Gallon door storage	Maximum Height w/Hinge	69 in.
Freezer Shelves		Maximum Width	29-5/8 in.
No. of shelves	1 full-width	Depth, Less Door Handle	31-1/8 in.
Adjustable	Yes		
Freezer Door			
No. of Shelves/Bins	2 Fixed		

46-86102 - White

White Frigidaire 20.6 cu. ft. Top Freezer Refrigerator FRT21KG3EW

Top freezer refrigerator with 2 full-width slide-out glass shelves, 2 clear crispers (1 humidity-controlled) and clear deli drawer/dairy door. Full-width freezer shelf and rounded-edge door styling. Available ice maker kit (sold separately).

- Clear dairy/deli and crispers
- Upfront temperature control knobs
- Enhanced refrigerator lighting
- Full-width freezer shelf
- Gallon storage on the door
- Rounded door edges
- Optional ice maker kit #8087 available, sold separately



Product Overview		Freezer Ice & Specialty	
General Warranty	1 year parts and labor	Ice Cube Trays	yes
Capacity		Convenience Features	
Freezer Section	5.3 cu. Ft.	Refrigator Light	yes
Refrigerator Section	15.3 cu. Ft	Controls	
Energy		No. of Controls	1
Kilowatt Hrs per Year	509	No. of Thermostats	1
Energy Star Complaint	no	Control Location(s)	Up-front
Ice Maker		Control Type(s)	Dial
Type	Optional ice maker kit available	Quality Features	
Water Filtration		Defrost system	Frost Free
Type	-	Noise Reduction	Low Noise Compressor
Fresh Food Shelves		Performance	Frost-Free Operation
No. of Fresh Food Shelves	3	Styling	
Adjustable	2 adjustable	Design Look	Reach-thru handles
Construction	Glass	Door Flexibility	Right hinge, right swing
Slide-Out	2 slide-out	Color	
Fresh Food Bins		Door Panel(s)	white
Deli/Snack Bins	clear deli drawer	Overall	white
Vegetable Crisper	2 crispers, 1 adj. Humidity-controlled	Toe Grille	white
Fresh Food Door		Cabinet Color	white
No. of Shelves/Bins	3	Handle Color	white
Door Dairy Bin	Dairy compartment	Materials & Finishes	
Door Swing	Right hinge, right swing	Cabinet	Textured steel
Gallon/Liter Door Storage	Gallon storage	Door Panel	Textured steel
Freezer Shelves		Insulation	Foam insulation
No. of shelves	1	Dimensions	
Construction	wire	Maximum Depth w/Handle	33-3/4 in.
Freezer Door		Height w/out Hinge	68-1/4 in.
No. of Shelves/Bins	2	Maximum Height w/Hinge	69 in.
Type of Storage	Door bins	Maximum Width	29-5/8 in.

46-69232 White White Kenmore 20.6 cu. ft. Top 46-69234 - Bisque Freezer Refrigerator 46-69239 - Black

This ENERGY STAR® top mount refrigerator offers many features. Clear Adjustable Gallon Door Bins and adjustable spillproof glass shelves ensure convenient storage options. Clear Humidity Controlled crispers and clear deli drawer provide flexibility while keeping food fresh.



- ENERGY STAR® Qualified
- 4 Split, Spillproof Glass Shelves
- Doors feature Rounded Door Corners
- Clear Adjustable Gallon Door Bins
- 2 Clear, Humidity Controlled Crispers
- Full Width Freezer Shelf
- Full Enclosure Freezer Door Bins

General Features:		Styling:	
General Warranty	1 year limited	Cabinet Color	White
Capacity:		Door Color	White
Freezer Section	5.3 cu. ft	Handle Color	White
Overall	20.6 cu. Ft	Type	Top Freezer
Refrigerator Section	15.3 cu. ft.	Handle Type	Standard
Performance:		Color:	
Kilowatt Hrs. per Year	432	Overall	White
Interior Lighting	Enhanced	Freezer Features:	
Sound Reduction	No	Advanced Freezer Technology	No
Energy Star Compliant	Yes	Advanced Ice Production	No
Freshness Features:		Defrost System	Frost free
Advanced Cooling System	No	Ice Maker	No
Air Filtration	No	Ice Storage	No
Crispers	2 humidity-controlled crispers	Freezer Conveniences:	
Crisper Style	clear	Adjustable Shelves	0
Snack/Deli Drawer	Yes	Pull-out Freezer Floor	No
Temperature Controlled Meat/Vegetable Drawer	No	Adjustable Door Bins/Baskets	0
Temperature Controlled Snack/Deli Drawer	No	Door Bins/Baskets	2
Refrigerator Conveniences:		Tilt Out Bins/Baskets	0
Adjustable Shelves	0	Durability:	
Advanced Storage Options	No	Door Finish	Textured
Beverage Rack	No	Shelf Material	Glass, spill-proof
Clear Adjustable Door Bins	4	Dimensions:	
Control Location	Up-front interior	Maximum Depth w/Handle	33-3/4 in.
Control Type	Knob/dial	Height w/out Hinge	68-1/4 in.
Slide-out shelves	0	Maximum Height w/Hinge	69 in.
Opaque Adjustable Door Bins	0	Maximum Width	29-5/8 in.
Specialty Storage	No	Depth w/out Handle	31-3/4 in.
Tilt Out Door Storage	0		

46-84592 White

46-84594 - Bisque

46-84599 - Black



White GE Profile 24.6 cu. ft. Top Freezer Refrigerator with Internal Dispenser

ENERGY STAR® qualified appliance. This stylish top-freezer refrigerator features an internal GE SmartWater™ filtration system that delivers chilled, fresh-tasting water at any time. Shelves slide out and spills stay put on the spill-proof glass shelves, and the upfront electronic digital display clearly shows the exact temperature for both the fresh food and freezer compartments.

- Internal water dispenser with GE SmartWater™ filtration system
- Upfront electronic touch digital temperature display
- ClimateKeeper™ temperature management system
- Factory-installed icemaker
- Slide-out, spill-proof glass shelves
- Clearlook door bins
- Tilt-out freezer door bins
- ENERGY STAR® Qualified, this refrigerator uses less energy to operate, saving money on utility bills

General Features:		Styling:	
General Warranty	1 year limited	Cabinet Color	White
Capacity:		Door Color	White
Freezer Section	7.1 cu. Ft	Handle Color	White
Overall	24.6 cu. Ft	Type	Top Freezer
Refrigerator Section	17.5 cu. ft.	Handle Type	Standard
Performance:		Color:	
Kilowatt Hrs. per Year	475	Overall	White
Interior Lighting	Enhanced	Freezer Features:	
Sound Reduction	Deluxe Quiet Design	Advanced Freezer Technology	ClimateKeeper temperature management system
Energy Star Compliant	Yes	Advanced Ice Production	No
Freshness Features:		Defrost System	FrostGuard technology
Advanced Cooling System	ClimateKeeper temperature management system	Ice Maker	Yes
Air Filtration	No	Ice Storage	Yes
Crispers	2 humidity-controlled crispers	Freezer Conveniences:	
Crisper Style	clear	Adjustable Shelves	1
Snack/Deli Drawer	No	Pull-out Freezer Floor	No
Temperature Controlled Meat/Vegetable Drawer	No	Adjustable Door Bins/Baskets	1
Temperature Controlled Snack/Deli Drawer	Yes	Door Bins/Baskets	2
Refrigerator Conveniences:		Tilt Out Bins/Baskets	0
Adjustable Shelves	4	Durability:	
Advanced Storage Options	Yes, dairy compartment	Door Finish	smooth
Beverage Rack	Yes, Can rack	Shelf Material	Glass, spill-proof
Clear Adjustable Door Bins	4	Dimensions:	
Control Location	Up-front interior	Maximum Depth w/Handle	33-5/8 in.
Control Type	Electronic, temperature set point	Height w/out Hinge	67-7/8 in.
Slide-out shelves	3	Maximum Height w/Hinge	68-5/8 in.
Opaque Adjustable Door Bins	0	Maximum Width	35-7/8 in.
Specialty Storage	No	Depth w/out Handle	31-5/8 in.
Tilt Out Door Storage	0		

Bottom

Freezers

46-65932 White

46-64934 - Bisque

46-64939 - Black

Kenmore 18.5 cu. ft. Bottom Freezer Refrigerator with Electronic Controls

Product Overview:		Controls:	
Item Weight	251.0 lbs.	Control Location(s)	Up-front
General Warranty	1 year parts and labor	Control Type(s)	Electronic temperature set point, digital 1-7
Capacity:		Quality Features:	
Capacity, Freezer	5.6 cu. ft.	Adj. Rollers/Levelers	Yes
Capacity, Fresh Food Vol.	12.9 cu. ft.	Construction	Easy clean one piece liner
Energy:		Textured steel	
Kilowatt Hrs. per Year	475	Noise Reduction	Low noise compressor
Energy Star Compliant	Yes	Performance	Automatic exterior moisture control
Fresh Food Shelves:		Styling:	
Adjustable	Yes	Design Look	Reach through door handles
No. of Fresh Food Shelves	4	Door Flexibility	Reversible
Construction	Glass spill-proof, slide-out	Color:	
Crisper Shelf	Glass top crisper shelf	Cabinet	White
Slide-Out	2 slide-out	Door Handle(s)	White
Fresh Food Bins:		Door Panel(s)	White
Deli/Snack Bin	Clear snack bin	Interior	White
Egg Bin	3 piece	Overall	White
Special Items Bin	Clear utility bin	Toe Grille	White
Vegetable Crisper	2 clear crispers w/adj. humidity	Materials & Finishes:	
Fresh Food Door:		Cabinet	Textured steel
No. of Shelves/Bins	6	Cabinet Liner	Foam-in-place
Door Swing	Right hinge, right swing	Door Liner	Foam-in-place
Gallon/Liter Door Storage	Yes	Door Panel	Textured steel
Freezer Shelves:		Insulation	Foam-in-place
No. of Shelves	1	Dimensions:	
Construction	Wire	Air Clearance, Back	1 in.
Slide-Out	1 slide-out	Air Clearance, Each Side	1 in.
Freezer Baskets:		Air Clearance, Top	1 in.
Adjustable	Yes	Depth, including Handles	33-1/8 in.
No. of Baskets	1	Depth, Less Door	28 in.
Construction	Wire	Depth, Total with Door Open	59-1/8
Slide-Out	Slide-out	Height to Top of Case	65-5/8 in.
Freezer Door:		Height to Top of Door Hinge	66-3/4 in.
No. of Shelves/Bins	1	Weight, Shipping (Approx.)	278.0 lbs.
Fixed Shelves	1 fixed shelf	Width	29-5/8 in.
Freezer Ice & Specialty:		Depth, Less Door Handle	30-3/4 in.
Ice Cube Trays	2 ice trays	Power Source:	
Convenience Features:		Maximum Amps	15
Freezer Light	2 freezer lights	Ratings	UL Listed/CSA approval
Refrigerator Light	2 refrigerator lights	Requirements	120 volts, 60 Hz, 7.9 amps

White Kenmore 18.5 cu. ft. Bottom Freezer Refrigerator with Electronic Controls

ENERGY STAR® qualified appliance. Refrigeration performance you can count on. The efficient, superb performance of this bottom-freezer refrigerator features an advanced temperature control performance to ensure proper climate for food preservation. The adaptive defrost only defrosts when needed.



- Smart reach design
- [Adaptive Defrost](#)
- Enhanced lighting
- Adjustable gallon door bins
- Advanced temperature control system
- Slide-out spill-proof shelves
- Deli drawer
- Slide-out freezer shelf
- Energy Star® qualified, this refrigerator uses less energy to operate, saving money on utility bills

General Features:		Styling:	
General Warranty	1 year limited parts and labor	Cabinet Color	White
Capacity:		Door Color	White
Freezer Section	5.6 cu. Ft	Handle Color	White
Overall	18.5 cu. Ft	Type	Bottom freezer
Refrigerator Section	12.9 cu. ft.	Handle Type	Standard
Performance:		Color:	
Kilowatt Hrs. per Year	475	Overall	White
Interior Lighting	Enhanced	Freezer Features:	
Sound Reduction	Yes, low noise compressor	Advanced Freezer Technology	Yes, advanced temperature control
Energy Star Compliant	Yes	Advanced Ice Production	No
Freshness Features:		Defrost System	Frost-free
Advanced Cooling System	Yes, advanced temperature control	Ice Maker	Option
Air Filtration	No	Ice Storage	No
Crispers	2 humidity-controlled crispers	Freezer Conveniences:	
Crisper Style	clear	Adjustable Shelves	0
Snack/Deli Drawer	Yes	Pull-out Freezer Floor	No
Temperature Controlled Meat/Vegetable Drawer	No	Adjustable Door Bins/Baskets	0
Temperature Controlled Snack/Deli Drawer	No	Door Bins/Baskets	1
Refrigerator Conveniences:		Tilt Out Bins/Baskets	0
Adjustable Shelves	4	Durability:	
Advanced Storage Options	Yes, dairy compartment	Door Finish	Textured
Beverage Rack	No	Shelf Material	Glass, spill-proof
Clear Adjustable Door Bins	5	Dimensions:	
Control Location	Up-front interior	Maximum Depth w/Handle	33-1/8 in.
Control Type	Electronic, temperature 1-7 controls	Height w/out Hinge	65-5/8/ in.
Slide-out shelves	2	Maximum Height w/Hinge	66-3/4 in.
Opaque Adjustable Door Bins	0	Maximum Width	29-5/8 in.
Specialty Storage	Egg/utility bin	Depth w/out Handle	30-3/4 in.
Tilt Out Door Storage	1		

46-86002 - White

White LG 20 cu. ft. Bottom Freezer Refrigerator



ENERGY STAR® qualified appliance. The LG 30 in. wide bottom freezer is perfect for small spaces. With 20 cu. ft. of capacity you have plenty of space. Fresh food is at eye-level with the bottom freezer design. LG's electronic controls and contour door make this a stylish refrigerator. With LG's CustomCube™ ice maker, you can make ice cubes in 3 different sizes.

- Bottom freezer design
- 20 cu. ft. capacity
- 30 in. wide for smaller spaces
- Contour doors
- Swing door freezer
- ENERGY STAR® qualified
- Premium electronic controls
- CustomCube™ Ice Maker
- LoDecibel™ Quiet operation

General Features:		Styling:	
General Warranty	1 year parts and labor	Cabinet Color	White
Capacity:		Door Color	White
Freezer Section	6.3 cu. Ft	Handle Color	White
Overall	19.7 cu. Ft	Type	Bottom freezer
Refrigerator Section	13.4 cu. ft.	Handle Type	Standard
Performance:		Color:	
Kilowatt Hrs. per Year	520	Overall	White
Interior Lighting	Enhanced	Freezer Features:	
Sound Reduction	LoDecible Quiet Operation	Advanced Freezer Technology	Multi-air flow cooling
Energy Star Compliant	Yes	Advanced Ice Production	No
Freshness Features:		Defrost System	Frost-free
Advanced Cooling System	Multi-air flow cooling	Ice Maker	CustomCube- 3 sizes
Air Filtration	No	Ice Storage	Yes
Crispers	2 humidity-controlled crispers	Freezer Conveniences:	
Crisper Style	clear	Door Type	Swing
Snack/Deli Drawer	Yes	Slide-out baskets	1
Temperature Controlled Meat/Vegetable Drawer	No	Removable Baskets	1
Temperature Controlled Snack/Deli Drawer	No	Door Bins/Baskets	1
Refrigerator Conveniences:		Tilt Out Bins/Baskets	0
Adjustable Shelves	3	Durability:	
Advanced Storage Options		Door Finish	Textured
Beverage Rack		Shelf Material	Glass, spill-proof
Clear Adjustable Door Bins		Dimensions:	
Control Location	Up-front interior	Maximum Depth w/Handle	33-3/8 in.
Control Type	Electronic, temperature 1-7 controls	Height w/out Hinge	67-1/4 in.
Slide-out shelves		Maximum Height w/Hinge	67-7/8 in.
Opaque Adjustable Door Bins	5 Design-a-door	Maximum Width	29-7/8 in.
Specialty Storage		Depth w/out Handle	31-3/4 in.
Tilt Out Door Storage			

46-65232 White
46-64234 Bisque
46-64239 Black

Kenmore 21.9 cu. ft. Bottom Freezer Refrigerator with Spill-Proof Glass Shelves



Product Overview:	Material, Overall	Steel
	Item Weight	288.0 lbs.
	General Warranty	1 year parts and labor
Capacity:	Capacity, Freezer	6.3 cu. ft.
	Capacity, Fresh Food Vol.	15.6 cu. ft.
Energy:	Kilowatt Hrs. per Year	491
	Energy Star Compliant	Yes
Fresh Food Shelves:	Adjustable	Adjustable
	No. of Fresh Food Shelves	4
	Construction	Glass, spill-proof
	Crisper Shelf	Glass top crisper shelf
Fresh Food Bins:	Slide-Out	2 slide-out
	Deli/Snack Bin	Clear snack bin
	Egg Bin	Egg bin
	Special Items Bin	Clear utility bin
Fresh Food Door:	Vegetable Crisper	2 clear crispers w/adj. humidity
	No. of Shelves/Bins	6
	Door Dairy Bin	Clear dairy compartment
	Door Swing	Right hinge, right swing
Freezer Shelves:	Gallon/Liter Door Storage	Gallon door bins
	No. of Shelves	1
	Construction	Wire
Freezer Baskets:	Slide-Out	1 slide-out
	No. of Baskets	1
	Construction	Wire
Freezer Door:	Slide-Out	Slide-out
	No. of Shelves/Bins	1
	Fixed Shelves	1 fixed shelf
Freezer Ice & Specialty:	Ice Cube Trays	2 ice trays
Convenience Features:	Freezer Light	2 freezer lights
	Refrigerator Light	2 refrigerator lights
Controls:	Control Location(s)	Up-front
	Control Type(s)	Electronic temperature set point, digital 1-7

Quality Features:	Adj. Rollers/Levelers	Yes
	Construction	Easy clean one piece liner Foam-in-place doors Textured steel
	Noise Reduction	Low noise compressor
Styling:	Performance	Automatic exterior moisture control
	Design Look	Reach through door handles
	Door Flexibility	Reversible
Color:	Panel Flexibility	**Accepts custom panel(s) by 3rd party
	Cabinet	White
	Door Handle(s)	White
	Door Panel(s)	White
	Interior	White
	Overall	White
Materials & Finishes:	Toe Grille	White
	Cabinet	Textured steel
	Cabinet Liner	Foam-in-place
	Door Liner	Foam-in-place
	Door Panel	Textured steel
Dimensions:	Insulation	Foam-in-place
	Air Clearance, Back	1 in.
	Depth, including Handles	33-1/8 in.
	Depth, Less Door	28 in.
	Depth, Total with Door Open	62 in.
	Height to Top of Case	68-5/8 in.
	Height to Top of Door Hinge	69-7/8 in.
	Weight, Shipping (Approx.)	298 lbs.
	Width	32-5/8 in.
	Depth, Less Door Handle	30-3/4 in.
Power Source:	Maximum Amps	15
	Ratings	UL Listed/CSA approval
	Requirements	120 volts, 60 Hz, 7.9 amps

Side By

Sides

46-44262 White
 46-44264 Bisque
 46-44269 Black

White Kenmore 21.7 cu. ft. Non-Dispensing Side-By-Side Refrigerator -No Ice/Water

ENERGY STAR® qualified appliance. Large capacity, impressive storage solutions and the only Kenmore side-by-side refrigerator with optional dispenser. This adjustable spill-proof shelves feature raised edges that help contain leaks to shelf without spilling over into the rest of the refrigerator.

- Humidity-controlled crisper
- Enhanced lighting in refrigerator and freezer
- Convertible vegetable/meat drawer
- Snack/deli drawer
- Clear gallon door bins, Slide-Out Shelves and Dairy Compartment
- Backlit slide control
- Optional Ice Maker
- Energy Star® qualified, this refrigerator uses less energy to operate, saving money on utility bills



Product Overview:	General Warranty	1 year parts and labor
Capacity:	Capacity, Freezer	7.2 cu. ft.
	Capacity, Fresh Food Vol.	14.5 cu. ft.
Energy:	Kilowatt Hrs. per Year	540
	Energy Star Compliant	Yes
Ice Maker	Ice Maker	Optional Icemaker kit available
Fresh Food Shelves:	No. of Fresh Food Shelves	4
	Adjustable	3 adjustable
	Construction	Glass, spill-proof
	Crisper Shelf	glass top crisper shelf
Fresh Food Bins:	Deli/Snack Bin	snack/deli drawer
	Meat Keeper	Clear convertible vegetable/meat drawer
	Vegetable Crisper	Clear humidity-controlled crisper drawer
Fresh Food Door:	No. of Shelves/Bins	5 (3 adjustable, 2 fixed)
	Gallon/Liter Door Storage	3 adj. Gallon door storage
Freezer Shelves:	No. of Shelves	5
Freezer Bins:	No. of Bins	1
	Configuration	Slide-out
Freezer Door:	No. of Shelves/Bins	6
Convenience Features:	Refrigerator Light	Enhanced Lighting
Controls:	No. of Controls	2
	No. of Thermostats	1
	Control Location(s)	Up-front
	Control Type(s)	Lighted slide control
Color:	Door Panel(s)	White
	Overall	White
	Cabinet Color	White
	Handle Color	White
Materials & Finishes:	Cabinet	Textured steel
	Door Panel	Textured steel
Dimensions:	Depth, Less Door	29-1/4 in.
	Depth, Total with Door Open	49-7/8 in.
	Door Edge Clearance	3/4 in.
	Maximum Depth, w/Handle	33-7/8 in.
	Height, w/out Hinge	66-3/4 in.
	Maximum Width	32-3/4 in.
	Depth, Less Door Handle	32-1/8 in.

46-58122 White
 46-58124 Bisque
 46-58129 Black

White Kenmore 21.7 cu. ft. Side-by-Side Refrigerator w/ PUR Ultimate II Water Filtration

ENERGY STAR qualified appliance. Interior ice storage allows you to enjoy fresh, filtered ice from the electronic dispenser without taking up valuable freezer space. This side-by-side refrigerator also offers great storage options like adjustable glass shelves, a clear meat pan, a clear, humidity-controlled crisper and freezer door bins.

- Exclusive PUR Ultimate II with Two-Stage Ice & Water Filtration
- Ice & Water Dispenser
- Interior water filter indicator
- Adjustable, Spill-Proof glass shelves
- Clear, adjustable gallon door storage
- ENERGY STAR Qualified



Capacity:		Freezer Features:	
Freezer Section:	7.3 cu. ft.	Advanced Freezer Technology:	No
Overall:	21.7 cu. ft.	Advanced Ice Production:	No
Refrigerator Section:	14.4 cu. ft.	Space Saving Ice System:	No
Color:		Ice Maker:	Yes
Cabinet Color:	White	Defrost System:	Frost-free
Door Color:	White	Freshness Features:	
Dispenser Color:	White	Advanced Cooling System:	No
Handle Color:	White	Air Filtration:	No
Overall:	White	Temperature Controlled Snack/Deli D:	No
Dimensions:		Snack/Deli Drawer:	Yes
Maximum Width:	32-3/4 in.	Temperature Controlled Meat/Vegetab:	No
Depth w/out Handle:	31-3/8 in.	Crisper Style:	Clear
Maximum Depth w/Handle:	33-7/8 in.	Crispers:	1 humidity-controlled crisper
Height w/out Hinge:	65-7/8 in.	General Features:	
Maximum Height w/Hinge:	66-3/4 in.	General Warranty:	1 year limited
Durability:		Performance:	
Shelf Material:	Glass, spill-proof	Energy Star Compliant:	Yes
Door Finish:	Textured	Sound Reduction:	No
Handle Material:	Plastic	Interior Lighting:	Standard
Filtration & Dispensing:		Kilowatt Hrs. per Year:	570
Ice/Water Filter:	PuR® Ultimate II water filtration	Refrigeration Conveniences:	
Ice Selection:	Crushed/cubed	Advanced Storage Options:	No
LCD Display:	No	Control Location:	Up-front interior
Power Outage Indicator:	No	Control Type:	Knob/dial
Dispenser Light:	Yes	Beverage Rack:	No
Dispenser Lock-out:	Yes	Slide-Out Shelves:	0
Dispenser:	Water/ice	Adjustable Shelves:	3
Water Filter Indicator:	Interior	Opaque Adjustable Door Bins:	0
Water Filter Location:	Base-grille	Clear Adjustable Door Bins:	3 gallon
Filter Life:	100 gallons	Styling:	
Freezer Conveniences:		Type:	Side-by-Side
Door Bin Style:	Plastic	Door Style:	Flat
Frozen Pizza Storage:	No		
Slide-out Baskets:	0		
Door Basket Style:	Wire		

46-59912-White
 46-59914- Bisque
 46-59919-Black

Kenmore 22 cu. ft. Side-by-Side Refrigerator

- 32 3/4" W x 66 3/4" H x 33 7/8" D
- Lighted dispenser with water, crushed and cubed ice
- Fruit/vegetable crisper
- Meat drawer
- 3 adjustable tempered glass shelves
- 5 fixed door bins (1 fixed gallon) plus dairy compartment
- Factory-installed ice maker
- 3 wire freezer shelves, 5 freezer door bins

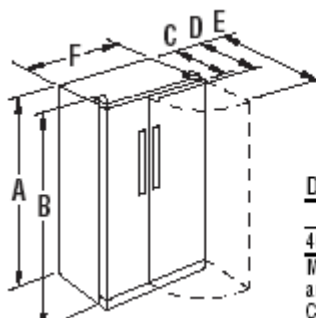


Interior Capacities	
Total Volume (cu. ft.)	21.6
Refrigerator Volume (cu. ft.)	14.3
Freezer Volume (cu. ft.)	7.3
Refrigerator Features	
Total Interior Shelves	3
Spill Proof Glass Shelves	3
Adjustable Shelves	3
Fruit/Vegetable Crisper	•
Meat Drawer	•
Total Door Shelves/Bins	5
Gallon Door Storage	1
Dairy Bin	•
Refrigerator Light(s)	3
Freezer Features	
Factory-Installed Ice Maker	•
Freezer Light(s)	1
Interior Shelves	3 Wire
Slide-Out Baskets/Bins	1
Freezer Door Shelves/Baskets/Bins	5
Frost-Free	Standard
General Features	
Up-Front Temperature Controls	Dial
Drawer/Bin Color & Accents	Clear/White
Textured Steel Doors & Cabinet	•
Est. Energy Consumption (KWh/yr.)	670
Est. Yearly Operating Cost††	\$56
Volts/Amps	120/6.5
Shipping Weight (Approx. Lbs.)	265
Warranty	
1 Year Limited—Entire Appliance	Parts & Labor

If used for other than private family purposes, warranty applies for only 90 days.

† Replacement filters available at local Sears stores

†† All energy \$/Yr. figures are calculated at the national average cost of \$0.0829/kWh. Energy rebates are offered and paid by the energy supplier in states where such programs exist. Criterion is based on percentage of energy efficiency attained beyond the 2006 standard. Dollar amounts may differ.



A – Height without Hinge
 B – Height with Hinge
 C – Depth without Handle
 D – Depth with Handle
 E – Max. Depth with Doors/
 Drawer Open
 F – Width

Clearance – Additional Width Required to Open the Doors 90°

Left Hinge – Facing the refrigerator, handle is on your right and hinges are on your left.

Right Hinge – Facing the refrigerator, handle is on your left and hinges are on your right.

Dimensions, Inches

	Dimensions						Clearances	
	A	B	C	D	E	F	Door Edge	Handle
46-59912	68 7/8	66 3/4	32 1/8	33 7/8	49 7/8	32 3/4	3/4	2 9/8

MINIMUM OPENING REQUIRED: When installing next to cabinets, add Width (F) and Door Edge Clearance. When installing next to a wall, add Width (F) and Handle Clearance.

46-57902 White
 46-57094 Bisque
 46-57909 Black

White Kenmore 25.3 cu. ft. Side-by-Side Refrigerator w/ PUR Ultimate II Water Filtration

- PUR® Ultimate II with two-stage ice and water filtration and indicator light
- Lighted dispenser with water, crushed and cubed ice with lockout
- Humidity-controlled crisper
- Convertible temperature-controlled meat drawer, snack/deli drawer
- 4 shelves (3 spill proof, adjustable glass)
- 4 door storage bins (3 adjustable gallon)
- 4 freezer shelves
- 3 freezer door trivets, 1 slide-in trim
- Energy Star® qualified
- 35 1/2" W x 69 3/4" H x 33 7/8" D



Capacity:		Freezer Features:	
Freezer Section:	9.9 cu. ft.	Advanced Freezer Technology:	No
Overall:	25.3 cu. ft.	Advanced Ice Production:	No
Refrigerator Section:	15.4 cu. ft.	Space Saving Ice System:	SpaceSaver Ice™ system
Color:		Ice Maker:	Yes
Cabinet Color:	White	Defrost System:	Frost-free
Door Color:	White	Freshness Features:	
Dispenser Color:	White	Advanced Cooling System:	No
Handle Color:	White	Air Filtration:	No
Overall:	White	Temperature Controlled Snack/Deli D:	No
Dimensions:		Snack/Deli Drawer:	Yes
Maximum Width:	35-1/2 in.	Temperature Controlled Meat/Vegetab:	Yes
Depth w/out Handle:	31-3/8 in.	Crisper Style:	Clear
Maximum Depth w/Handle:	33-7/8 in.	Crispers:	1 humidity-controlled crisper
Height w/out Hinge:	68-7/8 in.	General Features:	
Maximum Height w/Hinge:	69-3/4 in.	General Warranty:	1 year limited parts and labor
Durability:		Performance:	
Shelf Material:	Glass, spill-proof	Energy Star Compliant:	Yes
Door Finish:	Textured	Sound Reduction:	No
Handle Material:	Plastic	Interior Lighting:	Enhanced
Filtration & Dispensing:		Kilowatt Hrs. per Year:	616
Ice/Water Filter:	PuR® Ultimate II water filtration	Refrigeration Conveniences:	
Ice Selection:	Crushed/cubed	Advanced Storage Options:	No
LCD Display:	No	Control Location:	Up-front interior
Power Outage Indicator:	No	Control Type:	Backlit slide
Dispenser Light:	Yes	Beverage Rack:	No
Dispenser Lock-out:	Yes	Slide-Out Shelves:	0
Dispenser:	Water/ice	Adjustable Shelves:	3
Water Filter Indicator:	Interior	Opaque Adjustable Door Bins:	3 gallon
Water Filter Location:	Base-grille	Clear Adjustable Door Bins:	0
Filter Life:	200 gallons	Styling:	
Freezer Conveniences:		Type:	Side-by-Side
Door Bin Style:	Plastic	Door Style:	Flat
Frozen Pizza Storage:	No		
Slide-out Baskets:	0		
Door Basket Style:	Wire		

46-57982 white
 46-57984 Bisque
 46-57989 Black

White Kenmore 25.4 cu. ft. Side-by-Side Refrigerator w/ PUR Ultimate II Filtration

ENERGY STAR qualified appliance. Add style to your kitchen with this contour door refrigerator. Enjoy fresh tasting ice and water with the PUR Ultimate II filtration system. With slide-out shelves and adjustable gallon door bins, organize all your items. And thanks to enhanced lighting, find what you need quickly.

- Exclusive PUR Ultimate II Ice and Water Filtration
- Electronic Ice and Water Dispenser
- Contour door styling
- Convertible, Temperature-Controlled Meat and Vegetable Drawer
- Backlit Slide Control
- Spill-Proof, Slide-Out Glass Shelves
- Gallon Door Storage
- Enhanced lighting
- ENERGY STAR Qualified



Capacity:		Freezer Features:	
Freezer Section:	10 cu. ft.	Advanced Freezer Technology:	No
Overall:	25.4 cu. ft.	Advanced Ice Production:	No
Refrigerator Section:	15.4 cu. ft.	Space Saving Ice System:	No
Color:		Ice Maker:	Yes
Cabinet Color:	White	Defrost System:	Frost-free
Door Color:	White	Freshness Features:	
Dispenser Color:	White	Advanced Cooling System:	No
Handle Color:	White	Air Filtration:	No
Overall:	White	Temperature Controlled Snack/Deli D:	No
Dimensions:		Snack/Deli Drawer:	Yes
Maximum Width:	35-1/2 in.	Temperature Controlled Meat/Vegetab:	Yes
Depth w/out Handle:	33-1/4 in.	Crisper Style:	Clear
Maximum Depth w/Handle:	35-3/4 in.	Crispers:	1 humidity-controlled crisper
Maximum Height w/Hinge:	70-1/4 in.	General Features:	
Durability:		General Warranty:	1 year limited
Shelf Material:	Glass, spill-proof	Performance:	
Door Finish:	Smooth	Energy Star Compliant:	Yes
Handle Material:	Plastic	Sound Reduction:	No
Filtration & Dispensing:		Interior Lighting:	Enhanced
Ice/Water Filter:	PuR® Ultimate II water filtration	Kilowatt Hrs. per Year:	617
Ice Selection:	Crushed/cubed	Refrigeration Conveniences:	
LCD Display:	No	Advanced Storage Options:	No
Power Outage Indicator:	No	Control Location:	Up-front interior
Dispenser Light:	Yes	Control Type:	Backlit slide
Dispenser Lock-out:	Yes	Beverage Rack:	No
Dispenser:	Water/ice	Slide-Out Shelves:	2
Water Filter Indicator:	Exterior	Adjustable Shelves:	3
Water Filter Location:	Base-grille	Opaque Adjustable Door Bins:	0
Filter Life:	200 gallons	Clear Adjustable Door Bins:	3 gallon
Freezer Conveniences:		Styling:	
Door Bin Style:	Plastic	Type:	Side-by-Side
Frozen Pizza Storage:	No	Door Style:	Contoured
Slide-out Baskets:	1		
Door Basket Style:	Wire		

46-58422 white
46-58429 Black

White Kenmore 25.1 Side-By-Side Refrigerator with Dispenser Lockout



ENERGY STAR® qualified appliance. This functional side-by-side refrigerator provides convenient storage in the freezer and fresh food compartments. This model holds both a humidity-controlled crisper and a standard crisper. Adjustable, spillproof shelves and gallon door bins allow you to make space for your refrigerated items. The water and ice dispenser not only serves water and ice filtered through the PuR® system, but features a light and a control lockout for easy cleaning.

- Dispenser serves crushed or cubed ice and water
- PuR® push button base grille filter delivers clean water and takes no space from refrigerator
- Adjustable glass shelves give you many storage options
- Spill-proof shelves contain liquids for easier clean-up
- 3 adjustable gallon door bins provide ample storage on the door
- The clear snack/deli drawer holds your favorites
- ENERGY STAR® qualified means you save money on utility bills

Capacity:		Freezer Features:	
Freezer Section	9.9 cu. Ft	Advanced Freezer Tehnology	No
Overall	25.1 cu. Ft	Advanced Ice Production	No
Refrigerator Section	15.2 cu. ft.	Defrost System	Auto Defrost
Dimensions:		Ice Maker	Yes
Maximum Depth w/Handle	33-7/8 in.	Space Saving Ice Systems	No
Height w/out Hinge	68-7/8 in.	Freezer Conveniences:	
Maximum Height w/Hinge	69-3/48 in.	Door Basket Style	5, plastic
Maximum Width	35-1/2 in.	Frozen Pizza Storage	No
Depth w/out Handle	32-1/8 in.	Slide-out Baskets	1
Filtration & Dispensing:		General Features:	
Dispenser	Water/ice	Cabinet Color	White
Dispenser Light	Yes	Door Color	White
Dispenser Lock-out	Yes	Handle Color	White
Ice Selection	Crushed/Cubed	Door Style	Flat, textured
Ice/Water Filter	PuR water filtration	General Warranty	1 year parts and labor
LCD Display	No	Performance:	
Power Outage Indicator	No	Kilowatt Hrs. per Year	613
Water Filter Location	Base-grille	Interior Lighting	Standard
Durability:		Sound Reduction	No
Shelf Material	Glass, spill-proof	Energy Star Compliant	Yes
Freshness Features:		Refrigerator Conveniences:	
Advanced Cooling System	no	Adjustable Shelves	3
Air Filtration	No	Advanced Storage Options	Yes, Dairy Compartment
Crispers	1 humidity-controlled crispers	Beverage Rack	No
Crisper Style	clear	Clear Adjustable Door Bins	0
Snack/Deli Drawer	Yes	Control Location	Up-front interior
Temperature Controlled Meat/Vegetable Drawer	No	Control Type	Mechanical
Temperature Controlled Snack/Deli Drawer	No	Slide-out shelves	0
		Opaque Adjustable Door Bins	3 Gallon

Freezers

46-16502

White Kenmore 5.0 cu. ft. Manual Chest Freezer

This 5.0 cu. ft. manual defrost chest freezer holds up to 175 lbs. of food while providing excellent features and benefits. Features including a lift-out basket for organization, power on light, and security lock for convenience & safety at your home.

- 5 cu. ft. manual chest freezer
- 1 lift out basket
- Power on light
- Security lock
- Basket Color: White



Product Overview:		Controls:	
Item Weight	99.0 lbs.	Control Type(s)	Adjustable temperature control knob
General Warranty	1 year limited	Control(s) Location	In cabinet
Capacity:		Status Indicator(s)	Frost indicator button
Total Volume	5 cu. ft.	Quality Features:	
Energy:		Safety	Security lock
Kilowatt Hrs. per Year	242	Styling:	
Frost Control:		Door Handle	Pull
Ease of Maintenance	Defrost drain with round white plug	Color:	
Type	Manual	Overall	White
Food Storage:		Dimensions:	
No. of Upper Baskets	1 lift-out basket	Cabinet Depth	23-1/4 in.
Basket Construction	Plastic	Cabinet Height	34-1/5 in.
Temperature Management:		Cabinet Width	27 in.
Cold Control	Adjustable	Power Source:	
Convenience Features:		Ratings	CSA approval
Light(s)	-		

46-16702

White Kenmore 7.2 cu. ft. Manual Chest Freezer

This 7 cu. ft. manual defrost chest freezer holds up to 252 lbs. of food while providing excellent features and benefits. Features including a lift-out basket for organization, power on light and security lock for convenience and safety at your home.

- 7.2 cu. ft. manual chest freezer
- 1 lift out basket
- Power on light
- Security lock
- Basket Color: White



Product Overview:		Controls:	
Item Weight	115.0 lbs.	Control Type(s)	Adjustable temperature control knob
General Warranty	1 year limited	Control(s) Location	In cabinet
Capacity:		Status Indicator(s)	Frost indicator button
Total Volume	7.2 cu. ft.	Quality Features:	
Energy:		Safety	Security lock
Kilowatt Hrs. per Year	279	Styling:	
Frost Control:		Door Handle	Pull
Ease of Maintenance	Defrost drain with round white plug	Color:	
Type	Manual	Overall	White
Food Storage:		Dimensions:	
No. of Upper Baskets	1 lift-out basket	Cabinet Depth	23-1/4 in.
Basket Construction	Plastic	Cabinet Height	34-1/5 in.
Temperature Management:		Cabinet Width	35 in.
Cold Control	Adjustable	Power Source:	
Convenience Features:		Ratings	CSA approval
Light(s)	-		

46-16922

White Kenmore 8.8 cu. ft. Manual Defrost Chest Freezer

This 8.8 cu. ft. manual defrost chest freezer holds up to 308 lbs. of food while providing excellent features and benefits. Features include 2 lift out baskets for organization, along with a power on light and security lock for convenience and safety. New for 2006 is an enhanced lighting package which provides a brighter interior white light.

- 8.8 cu. ft. manual defrost chest freezer
- 2 lift out baskets
- Power on light
- Security lock
- Enhanced interior lighting
- Basket Color: White



Product Overview:		Controls:	
Item Weight	140.0 lbs.	Control Type(s)	Adjustable temperature control knob
General Warranty	1 year limited	Control(s) Location	In cabinet
Capacity:		Status Indicator(s)	Frost indicator button
Total Volume	8.8 cu. ft.	Quality Features:	
Energy:		Safety	Security lock
Kilowatt Hrs. per Year	294	Styling:	
Frost Control:		Door Handle	Pull
Ease of Maintenance	Defrost drain with round white plug	Color:	
Type	Manual	Overall	White
Food Storage:		Dimensions:	
No. of Upper Baskets	2 lift-out baskets	Cabinet Depth	23-1/4 in.
Basket Construction	Plastic	Cabinet Height	34-1/5 in.
Temperature Management:		Cabinet Width	41 in.
Cold Control	Adjustable	Power Source:	
Convenience Features:		Ratings	CSA approval
Light(s)	Enhanced lighting		

46-16342

White Kenmore 12.9 cu. ft. Manual Chest Freezer

Introducing the best of both worlds: Energy Star qualification and organization for your 13 cu. ft. large chest freezer. New for 2006, the Energy Star qualification provides superior energy efficiency as well as interior organization to create customized spaces that suit your needs.

- 12.9 cu. ft. manual chest freezer
- Energy Star
- Organization options
- 2 lift out baskets
- Power on light
- Security lock
- Organization Options
- Basket Color: Aqua Blue



Product Overview:		Controls:	
Item Weight	151.0 lbs.	Control Type(s)	Adjustable temperature control knob
General Warranty	1 year limited	Control(s) Location	In cabinet
Capacity:		Status Indicator(s)	Frost indicator button
Total Volume	12.9 cu. ft.	Quality Features:	
Energy:		Safety	Security lock
Energy Star Compliant	Yes	Styling:	
Kilowatt Hrs. per Year	326	Door Handle	Pull
Frost Control:		Color:	
Ease of Maintenance	Defrost drain with round white plug	Overall	White
Type	Manual	Dimensions:	
Food Storage:		Cabinet Depth	29-1/2 in.
No. of Upper Baskets	2 lift-out baskets	Cabinet Height	35 in.
Basket Construction	Plastic	Cabinet Width	42-3/4 in.
Temperature Management:		Power Source:	
Cold Control	Adjustable	Ratings	CSA approval
Convenience Features:			
Light(s)	Enhanced lighting		

46-16542 White Kenmore 14.8 cu. ft. Chest Freezer

ENERGY STAR® qualified appliance. This Kenmore® chest freezer features 15 cu. ft. of frozen capacity and organization for all of your bulk storage needs. New for 2006, the Energy Star qualification provides superior energy efficiency as well as interior organization to create customized spaces that suit your needs.

- 2 Lift out baskets
- Power "on" light
- Security lock
- Enhanced interior lighting
- ENERGY STAR® qualified



Energy:		Freezer Conveniences:	
Kilowatt Hrs. Per Year	357	Frost Indicator Button	Yes
Energy Star Compliant	Yes	Hose Adapter	No
Color:		Oil Cooled Compressor	No
Lid Color	white	Security Lock	Yes
Overall	white	Temperature Alarm	No
Capacity:		Storage Basket	1 lift-out baskets
Overall	14.8 cu. Ft.	Styling:	
Durability:		Cabinet Color	white
Basket Material	Plastic	Handle Color	white
Door Finish	Textured	Handle Type	Pull Handle
Handle Material	Metal	Dimensions:	
Freezer Features:		Height	35 in.
Controls	Interior adjustable temperature control	Depth	29-1/2 in.
advanced Freezer Technology	No	Width	48 in.
Defrost System	Manual	General Features:	
Ice Maker	No	General Warranty	1 year limited
Performances:			
Interior Lighting	Standard		

46-16082

White Kenmore Elite 19.7 cu. ft. Manual Chest Freezer

Kenmore Elite provides excellent customization options as well as energy efficiency and all the convenient features you expect from a Kenmore Elite freezer. With 3 lift-out baskets, digital display electronics and the ability to use the FreezerMate accessory with this item, it's the solution to your freezer storage needs.

- 19.7 cu. ft. manual chest freezer
- Energy Star
- Organization options
- 3 lift out baskets
- Digital display electronics which provide temperature control, power on indicator, and quick freeze
- Oil cooled compressor
- FreezerMate ready
- Organization Options
- Basket Color: Aqua Blue



Product Overview:		Controls:	
Item Weight	195.0 lbs.	Control Type(s)	Digital numeric electronics w/actual temp. display
General Warranty	1 year limited	Control(s) Location	Electronic controls on handle
Capacity:		Status Indicator(s)	Frost indicator button
Total Volume	19.7 cu. ft.	Quality Features:	
Energy:		Performance	Oil-cooled compressor
Energy Star Compliant	Yes	Safety	Security lock
Kilowatt Hrs. per Year	435	Styling:	
Frost Control:		Door Handle	Pull
Ease of Maintenance	Defrost drain with round white plug	Color:	
Type	Manual	Overall	White
Food Storage:		Dimensions:	
No. of Upper Baskets	3 lift-out baskets	Cabinet Depth	29-1/2 in.
Basket Construction	Plastic	Cabinet Height	35 in.
Temperature Management:		Cabinet Width	61-1/4 in.
Cold Control	Quick freeze	Power Source:	
Monitoring	Temperature alarm	Ratings	CSA approval
Convenience Features:			
Ease of Use	FreezerMate ready		
Light(s)	Enhanced lighting		

46-27902

White Frigidaire 8.7 cu. ft. Upright Freezer

If you have a smaller location where you need to store your freezer, this 8.7 cu. ft. upright freezer could fit your needs! This model features 3 sturdy interior shelves and 4 door shelves, giving multiple storage options.



- 3 Fixed interior shelves
- 4 Fixed door shelves

Energy:		Freezer Conveniences:	
Kilowatt Hrs. Per Year	372	Door Basket Style	3, fixed
Energy Star Compliant	No	Frost Indicator Button	No
Color:		Hose Adapter	Yes
Lid Color	white	Oil Cooled Compressor	No
Overall	white	Security Lock	Yes
Capacity:		Temperature Alarm	No
Overall	8.7 cu. Ft.	Slide-out Baskets	0
Durability:		Styling:	
Basket Material	Plastic	Cabinet Color	white
Door Finish	Textured	Handle Color	white
Handle Material	Metal	Handle Type	Recessed
Freezer Features:		Dimensions:	
Controls	Adjustable temperature control knob	Height	51 in.
Advanced Freezer Technology	No	Depth	24 in.
Defrost System	Manual	Width	26-1/2 in.
Ice Maker	No	General Features:	
Performances:		General Warranty	1 year limited
Interior Lighting	N/A		

Capacity:	
Overall:	14.1 cu. ft.
Color:	
Cabinet Color:	White
Door Color:	White
Handle Color:	White
Overall:	White
Dimensions:	
Width:	28 in.
Depth w/out Handle:	28-3/5 in.
Height w/out Hinge:	59-3/5 in.
Depth:	31 in.
Height:	59-3/4 in.
Durability:	
Handle Material:	Plastic
Basket Material:	Wire
Door Finish:	Textured
Energy:	
Energy Star Compliant:	No
Kilowatt Hrs. per Year:	442
Freezer Conveniences:	
Slide-out Baskets:	1 slide-out storage basket
Door Shelf Style:	5 fixed shelves
Hose Adapter:	No
Frost Indicator Button:	No
Temperature Alarm:	No
Oil Cooled Compressor:	No
Security Lock:	Yes
Freezer Features:	
Advanced Freezer Technology:	No
Controls:	Adjustable temperature control knob
Space Saving Ice System:	No
Ice Maker:	No
Defrost System:	Manual
Performance:	
Interior Lighting:	Enhanced
Styling:	
Door Style:	Flat, textured
Handle Type:	Pull handle



- Manual defrost
- 3 wire shelves, 5 door shelves
- 1 slide-out storage basket
- Adjustable temperature control
- Interior lighting
- Security lock
- Defrost drain

46-26722

White Kenmore 17.1 cu. ft. Manual Defrost Upright Freezer

This 17.1 cu. ft. manual defrost upright freezer is packed with features including slide out basket, interior light, power on light and security lock- this is sure to fit your needs.

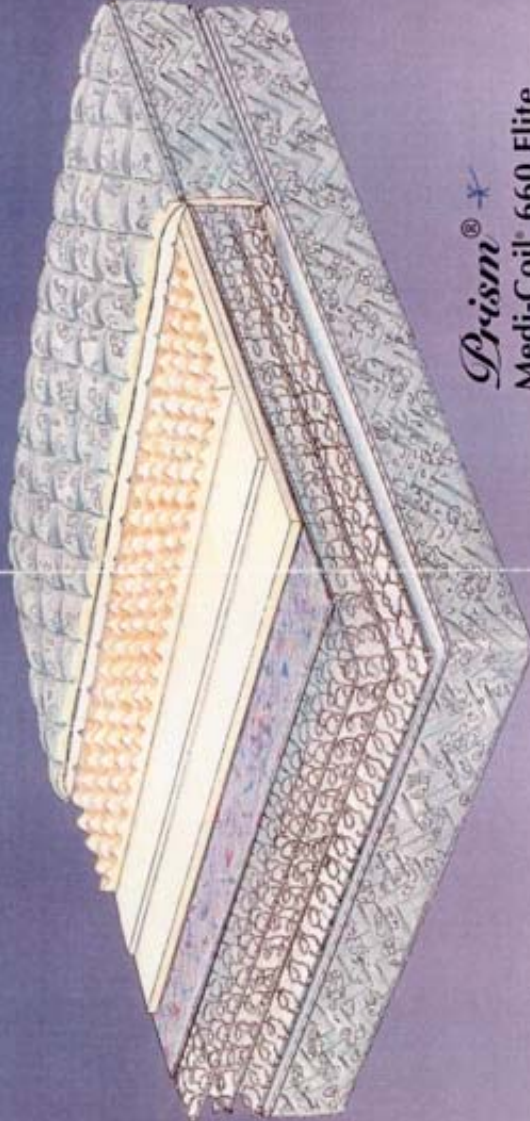
- 3 Fixed Shelves
- 1 Basket
- 5 Fixed Shelves
- Power on light indicator offers assurance that freezer is on
- Security lock with key for peace of mind
- Enhanced Interior Lights



Product Overview:		Convenience Features:	
Item Weight	208.0 lbs.	Light(s)	Enhanced lighting
General Warranty	1 year limited	Controls:	
Capacity:		Control Type(s)	Adjustable temperature control knob
Total Volume	17.1 cu. ft.	Control(s) Location	Back interior
Energy:		Status Indicator(s)	Power ON signal light
Kilowatt Hrs. per Year	480	Quality Features:	
Freezer Shelves:		Safety	Security lock
No. of Shelves	3	Styling:	
Shelf Construction	White steel	Door Handle	Pull
Shelf Flexibility	Fixed	Door Type	Frameless, full-width
Slide-Out Bottom Type	Basket	Color:	
Freezer Door:		Overall	White
No. of Shelves/Bins	5	Dimensions:	
Shelf Flexibility	N/A	Cabinet Depth	26-1/2 in.
Frost Control:		Cabinet Height	64-1/2 in.
Ease of Maintenance	Defrost Drain	Cabinet Width	32 in.
Type	Manual	Power Source:	
Temperature Management:		Ratings	CSA approval
Cold Control	Adjustable		

Mattress

Award Winning Medi-Coil, Now with Extra Coils...For Edge to Edge Balanced Support.



Prism®

Medi-Coil® 660 Elite
High Profile System

Featuring Exclusive TRIPLE EDGE® Tri-Level Anti-Sag Border Rod Control



- Prevents border breakdown, the major cause of mattress failure
- Keeps springs straight up and down; prevents shifting, sway and roll-together
- Allows more sleeping area, edge-to-edge



Unique High Profile Offset Spring System

- Each coil is even and untapered, for support that strengthens as the coil compresses
- Each coil flexes independently for more durability and less friction
- Smaller coil diameter not only supports you better but creates better support for the layering material in your mattress



Special Coils Are More Sensitive to Body Contouring Creating Balanced Support from Head to Toe

- 100% working wire surface with individually flexible coils provides ideal support for every body
- Improves comfort and reduces sleeper movement
- Coils are positioned around the mattress edge and attached to the border wire, providing support and sleeping comfort over the entire surface



Posture Comforting Upholstery System

- Your choice of different comfort levels, for harmonic full body support
- Multi-layered upholstery system, from exclusive deep quilted designer fabrics through special spinal support



We Make Your Morning Smiles